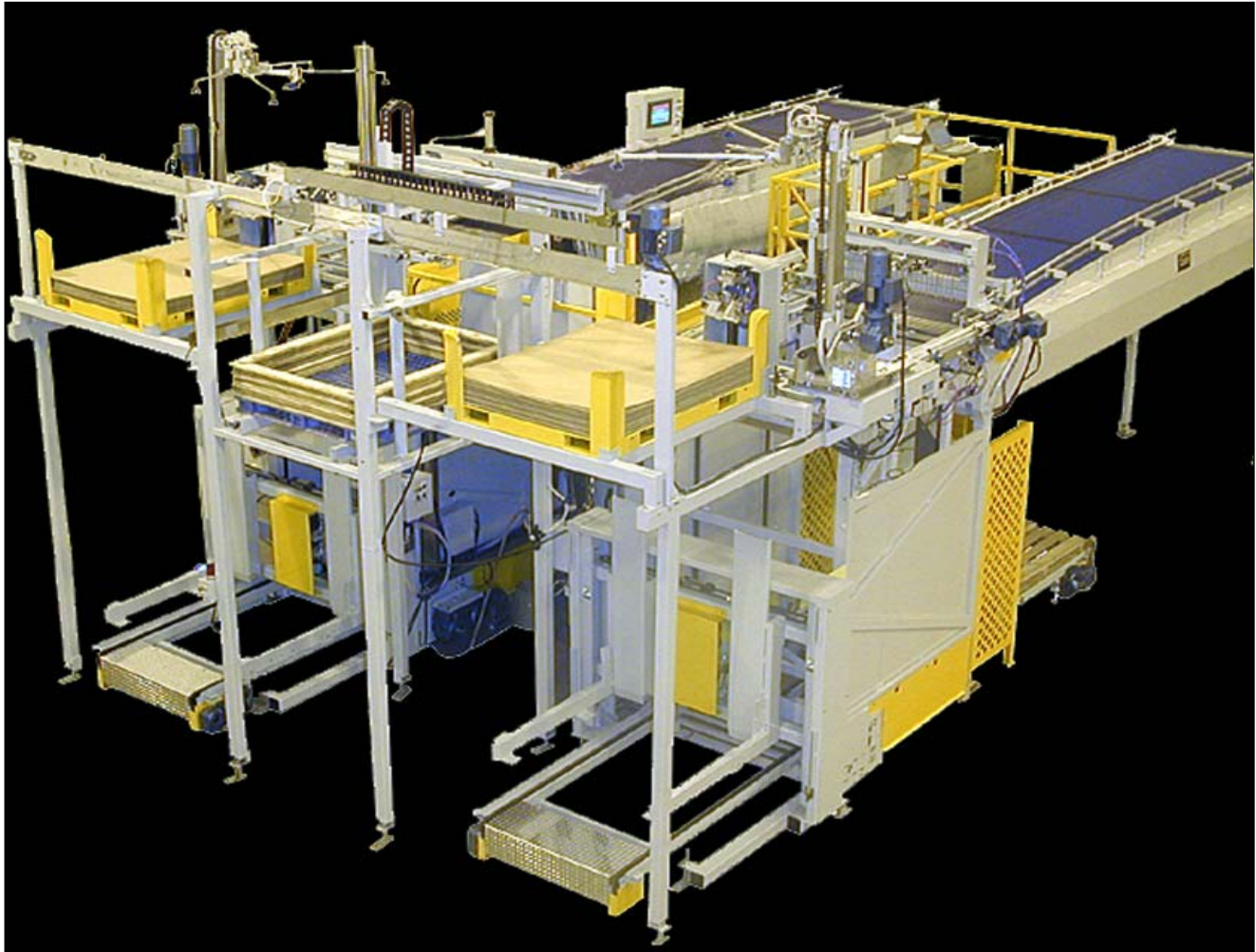


Can Palletizer (R1400 Series)



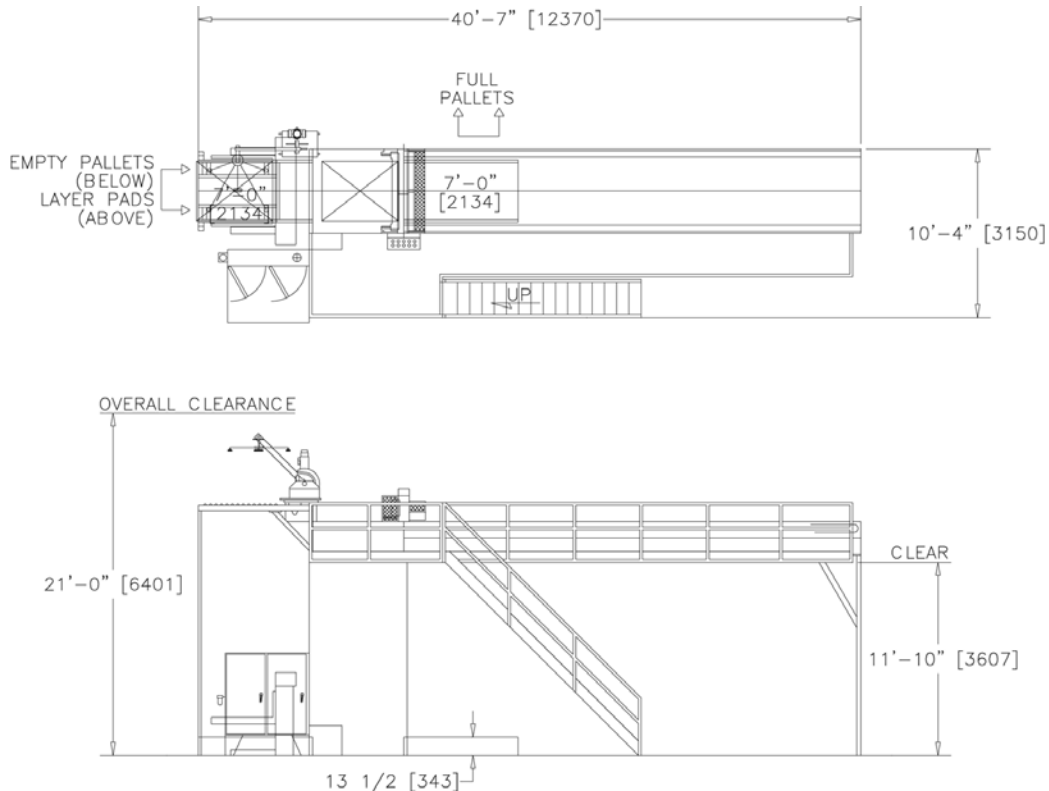
Features:

- Four-sided layer squaring assembly, which ensures that the integrity of the finished pack is never comprised
- VFD driven Autoserter™ layer pad placement system, which enables “top-drop” placement of layer pads - eliminating container contamination and extending the useful life of layer pads
- Automatic layer pad indexing separator, which reliably separates layer pads, new or old - ensuring that only one layer pad is placed on each layer of containers
- Container stop and layer separation assembly automatically separates layer from pack - Can create #1 or #2 stagger patterns
- Optional automatic top frame dispenser, which ensures consistently precise placement of top frames on the finished pallet, outside the hoist area - enabling continuous palletization and maximizing production time

Barry-Wehmiller

Can Palletizer (R1400 Series)

FleetwoodGoldcoWyard's R1400 Series palletizing systems feature an electrically operated reciprocating product hoist and the model R06 adjustable empty pallet magazine, which dispenses empty pallets to the hoist area on demand. From the basic semi-automatic model, the R1406, to the high performance R1406ACS (6 layers per minute), all R1400 Series machines can be configured for either standard or reverse full pallet discharge to suit your specific layout requirements.



Optional features available:

- Individual designs to accommodate non-standard pallet sizes
- Special PLC and controls to conform with plant standards
- Model VR6300 Automatic Void Reducer
- Complete container handling and conveying systems
- Standard or reverse discharge layouts available
- Full pallet conveyors to meet storage requirements
- Custom accumulator belt height or length to accommodate design requirements
- Stretch wrappers
- Truck dock loading systems

FleetwoodGoldcoWyard AMBEC

1305 Lakeview Drive • Romeoville, IL 60446 • 630/759-6800

• Loveland, CO
970/663-4770

• Lino Lakes, MN
651/464-4000

• St. Albans, England
+44 1727 836101

• Hunt Valley, MD
410/785-1934

• Lynchburg, VA
434/582-1200

www.FGWA.com • sales@FGWA.com